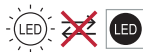
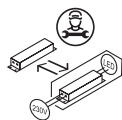




Carsington Plus Sports Floodlight



600W, 960W and 1650W

Carsington Plus



Sports Floodlight



READ THESE INSTRUCTIONS THOROUGHLY BEFORE INSTALLATION KEEP THESE INSTRUCTIONS FOR FUTURE REFERENCE.

IMPORTANT:

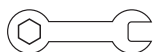
This product must be installed by a qualified electrician or competent person, and in accordance with current building and IET wiring regulations.

BOX CONTENTS

This lighting fixture has been properly packed to avoid damage during transit. Before commencing with the installation carefully inspect the luminaire to confirm there is no damage. DO NOT INSTALL if any damage has occurred to the fixture or any of its components.

- Light Fitting
- Instruction Manual
- Control Gear (Purchased separately)

TOOLS REQUIRED



• 36mm Spanner



• Screwdriver

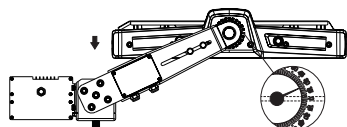


• Hex key 6mm & 8mm

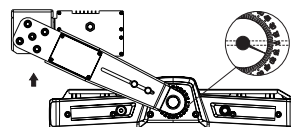
INSTALLATION INSTRUCTIONS

Installation must be conducted by a qualified electrician. The Carsington Plus has a variety of installation methods. See below:

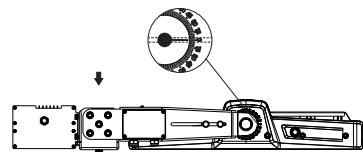
Angle of elevation 25 degree



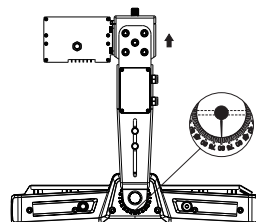
25 degrees Hoisting



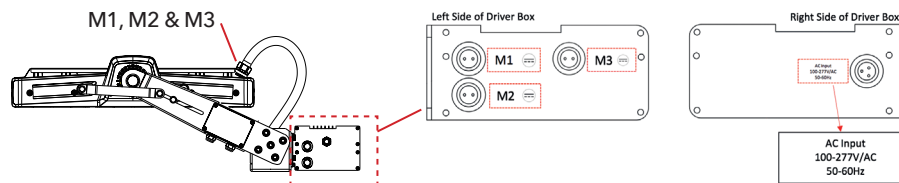
Horizontal installation



Vertical Hoisting



Quick connectors for portable Control Gear



1. For wiring the driver remotely, an additional H07RN-F will be required. (not supplied)
2. Remote installation of control gear: Extend M1, M2 and M3 depending on wattage
3. Use IP68 connectors supplied with control gear

Carsington Plus Control Gear

960W

Part No: 430512
100V - 277V



960W

Part No: 430526
390V - 415V



1650W

Part No: 430514
100V - 277V



1650W

Part No: 430527
390V - 415V



PLEASE READ THESE INSTRUCTIONS BEFORE INSTALLATION.



WARNING: Risk of electric shock! Isolate the mains power before proceeding.

- Turn off the mains power before performing inspections, installation, or removal
- Verify that the supply voltage is correct by comparing it with the luminaire label information
- It is the installers responsibility to ensure installation is suitable for the total load of the luminaire(s). The supply cable, fuses/circuit breakers must be correctly rated for the electrical load and considering for any transient inrush currents that may occur
- Do not perform insulation strength or resistance tests on installed luminaire(s) connected



Manby Business Park, Manby, Lincolnshire, LN11 8UT
Lumineux is a B&T Associates Ltd company.

Technical Helpline: +44 (0)1507 328031

www.lumineux.co.uk

DISPOSAL

The light source of this unit is not replaceable; when the light source reaches its end of life the whole luminaire shall be replaced.

Disassemble instructions for end of life disposal available on website.

Disposal of Electronic Equipment WEEE Directive 2002/96/EC This product falls within the scope of the Waste Electrical & Electronic Equipment Directive (WEEE), which means the product should not be disposed of as normal household waste. Please recycle where facilities exist or check with your Local Authority. RoHS - All components and materials used in this product are RoHS 2002/95/EC compliant.

Specifications may change from time to time. The information contained in this leaflet is for guidance only and should not be considered as always accurate and should be treated as not representative.

WARRANTY

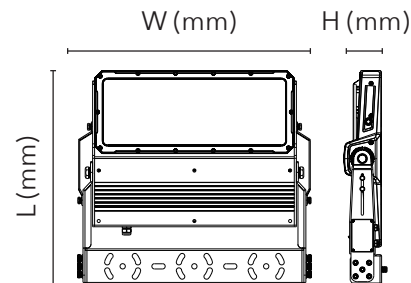
This luminaire is warranted for a period of 5 years from the date of purchase.** The backup battery pack in the emergency version is warranted for a period of 12 or 24 months. The warranty could be invalidated should the light fitting not be installed according to these instructions, outside the scope of the specification or the product has been altered or tampered with in any way. Please see website for terms and conditions.

PRODUCT TEMP SPECIFICATION

Standard -20 to +45°C

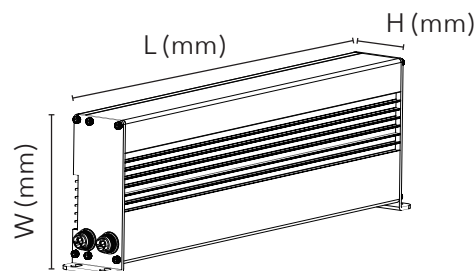
CARSINGTON PLUS SPORTS FLOODLIGHT DIMENSIONS

| Part No. | Description | Watts | L (mm) | W (mm) | H (mm) | Weight |
|-----------|-----------------|-------|--------|--------|--------|---------|
| 430510-25 | Carsington Plus | 600W | 728 | 538 | 114 | 20.10Kg |
| 430510-40 | Carsington Plus | 600W | 728 | 538 | 114 | 20.10Kg |
| 430510-60 | Carsington Plus | 600W | 728 | 538 | 114 | 20.10Kg |
| 430511-25 | Carsington Plus | 960W | 580 | 656 | 138 | 22.60Kg |
| 430513-25 | Carsington Plus | 1650W | 791 | 673 | 138 | 33.00Kg |

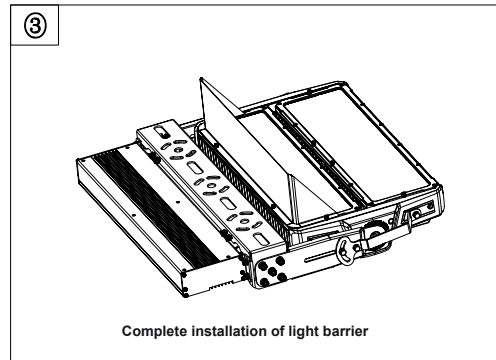
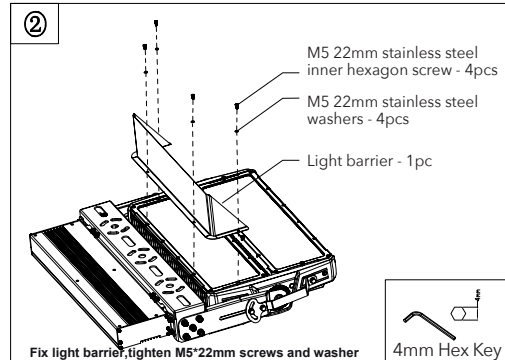
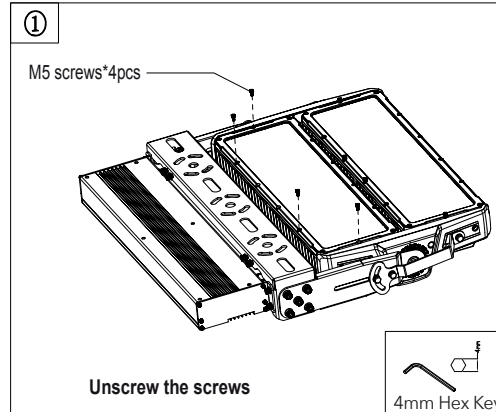


CARSINGTON PLUS CONTROL GEAR DIMENSIONS

| Part No. | Description | Watts | L (mm) | W (mm) | H (mm) | Weight |
|----------|--|-------|--------|--------|--------|---------|
| 430512 | Carsington Plus Control Gear - 100V-277V | 960W | 613 | 186 | 74 | 8.50Kg |
| 430526 | Carsington Plus Control Gear - 390V-415V | 960W | 613 | 186 | 74 | 8.50Kg |
| 430514 | Carsington Plus Control Gear - 100V-277V | 1650W | 628 | 186 | 120 | 14.70Kg |
| 430527 | Carsington Plus Control Gear - 390V-415V | 1650W | 767 | 186 | 120 | 14.70Kg |



CARSINGTON PLUS BACK SPILL INSTALLATION



Back Spill
(Light Barrier)
Part No: 430518
960W / 1650W

Front Spill
(Light Barrier)
Part No: 430532
960W / 1650W

This product contains a light source of energy efficiency Class D and E**.

Technical Helpline: +44 (0)1507 328031